



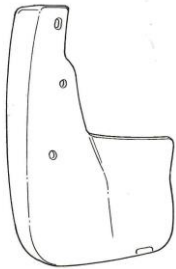
GENUINE PARTS

INSTALLATION INSTRUCTIONS

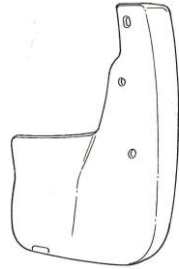
DESCRIPTION:	Splash Guard-Front
APPLICATION:	QX50 LWB
PART NUMBER:	999J2 54003

KIT CONTENTS:

Item	Qty.	Part Description	Service Part Number
A	1	Splash Guard - Front Right	999J2 54005
B	1	Splash Guard - Front Left	999J2 54008
C	6	Philips Head Screw - 20mm	14-51 00891
D	1	Installation Instruction Replacement Template	999V2 AW000



A



B



C



D

TOOLS REQUIRED:

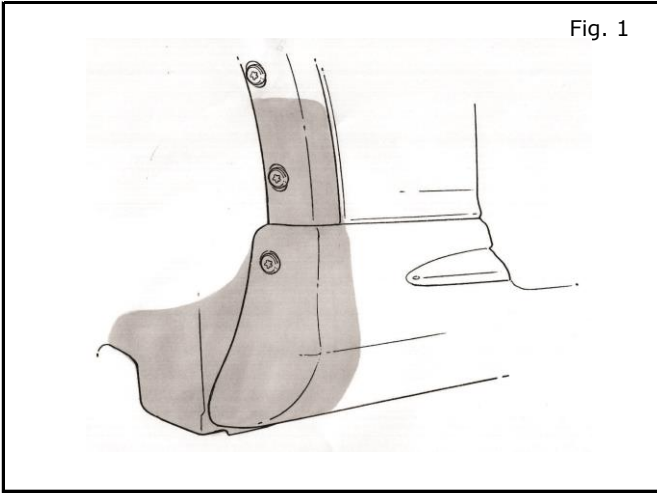
- clean rag
- soap & water
- #2 phillips screw driver
- #15 Torx Screwdriver
- 10 mm Socket
- Drill
- 1.5mm (1/16") Drill Bit
- Awl

PRE-INSTALLATION WARNINGS, CAUTIONS, CRITICAL STEPS, and NOTES:

- These installation instructions are for the left side of the vehicle; the same procedure applies to the right side.
- Dealer Installation Recommended.
- Parts to be installed at room temperature.

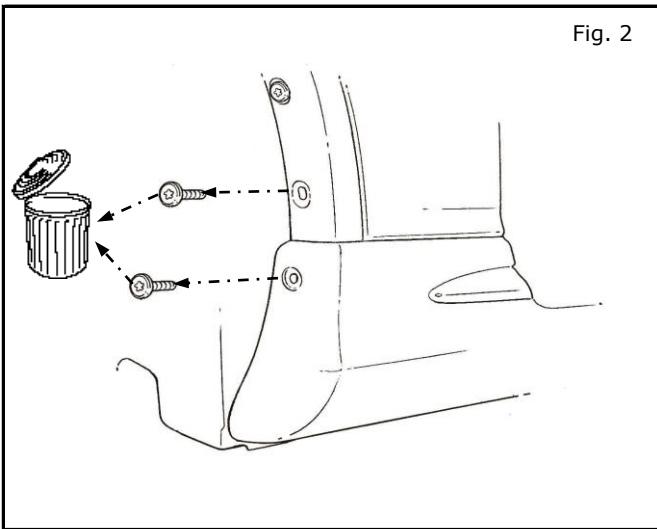
INSTALLATION PROCEDURE:

Fig. 1



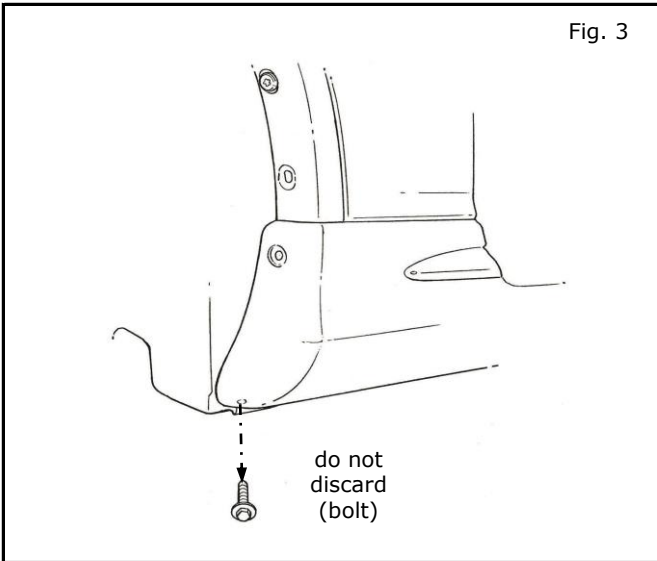
1) Clean shaded area with soap and water mixture and dry.

Fig. 2



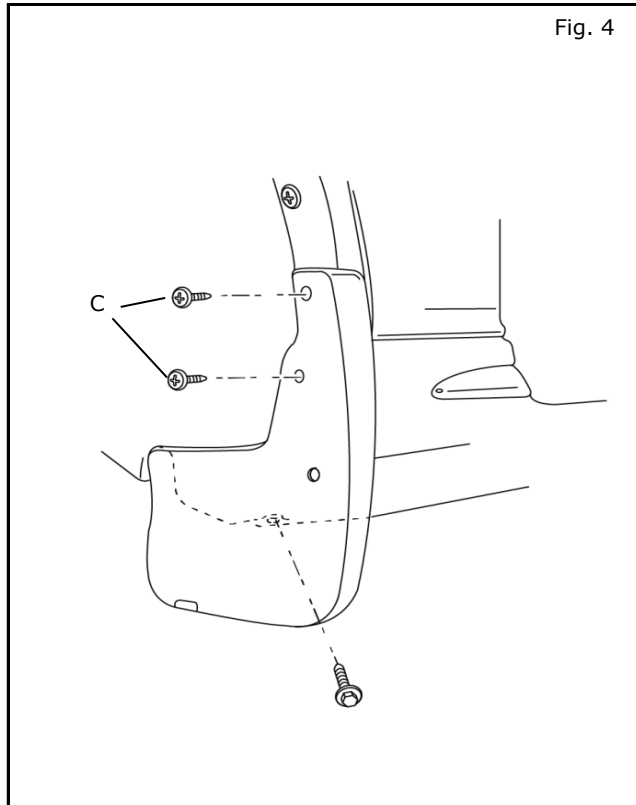
2) Remove existing screws (15mm) and discard.

Fig. 3

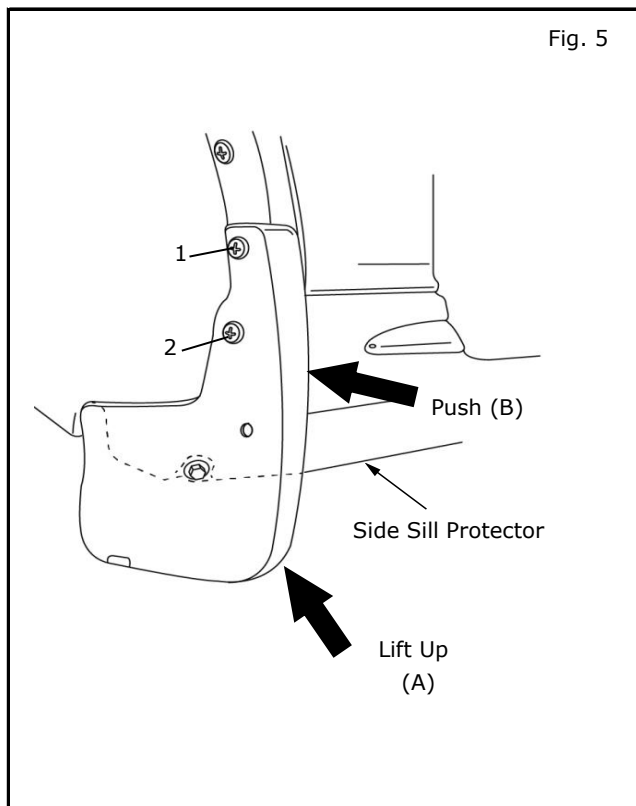


3) Remove existing lower bolt. Do not discard bolt.

INSTALLATION PROCEDURE: (continue)



- 4) Align front splash guard to vehicle and loosely install supplied screws - 20mm (C) in middle and top holes.
- 5) Loosely re-install lower bolt.



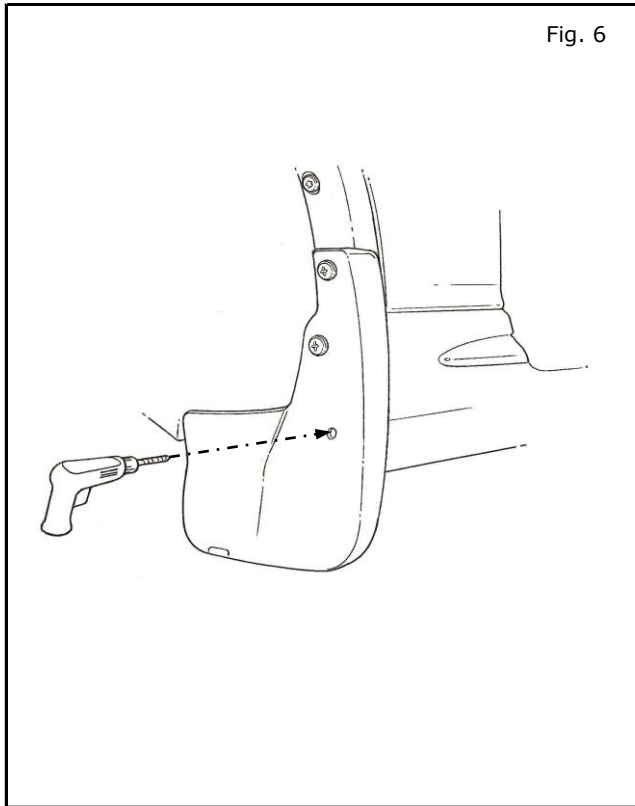
- 6) While lifting up in area (A) align splash guard edge to side sill protector surface and tighten lower bolt.

NOTE:
Do not over tighten bolt. Reference Tighten Torque: 3.8~4.4N-m {34~39 in-lb}

- 7) While pushing up and into vehicle in area (B) tighten screws in middle then top hole

NOTE:
Do not over tighten screw. Reference Tighten Torque: 3.8~4.4N-m {34~39 in-lb}

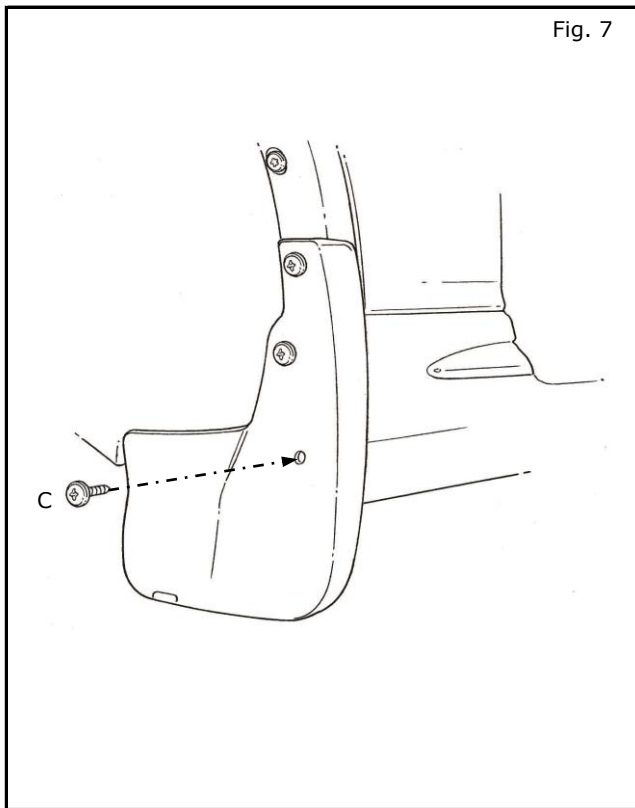
INSTALLATION PROCEDURE: (continue)



- 8) Mark hole center with awl.
- 9) Drill 1.5mm (1/16") center pilot hole.

NOTE:

Hold splash guard tight to the vehicle while drilling and installing screws to ensure no gap occurs between fender and splash guard.



- 10) Install supplied screw - DO NOT OVER TIGHTEN